

SW AVERY

EXISTING RAILROAD

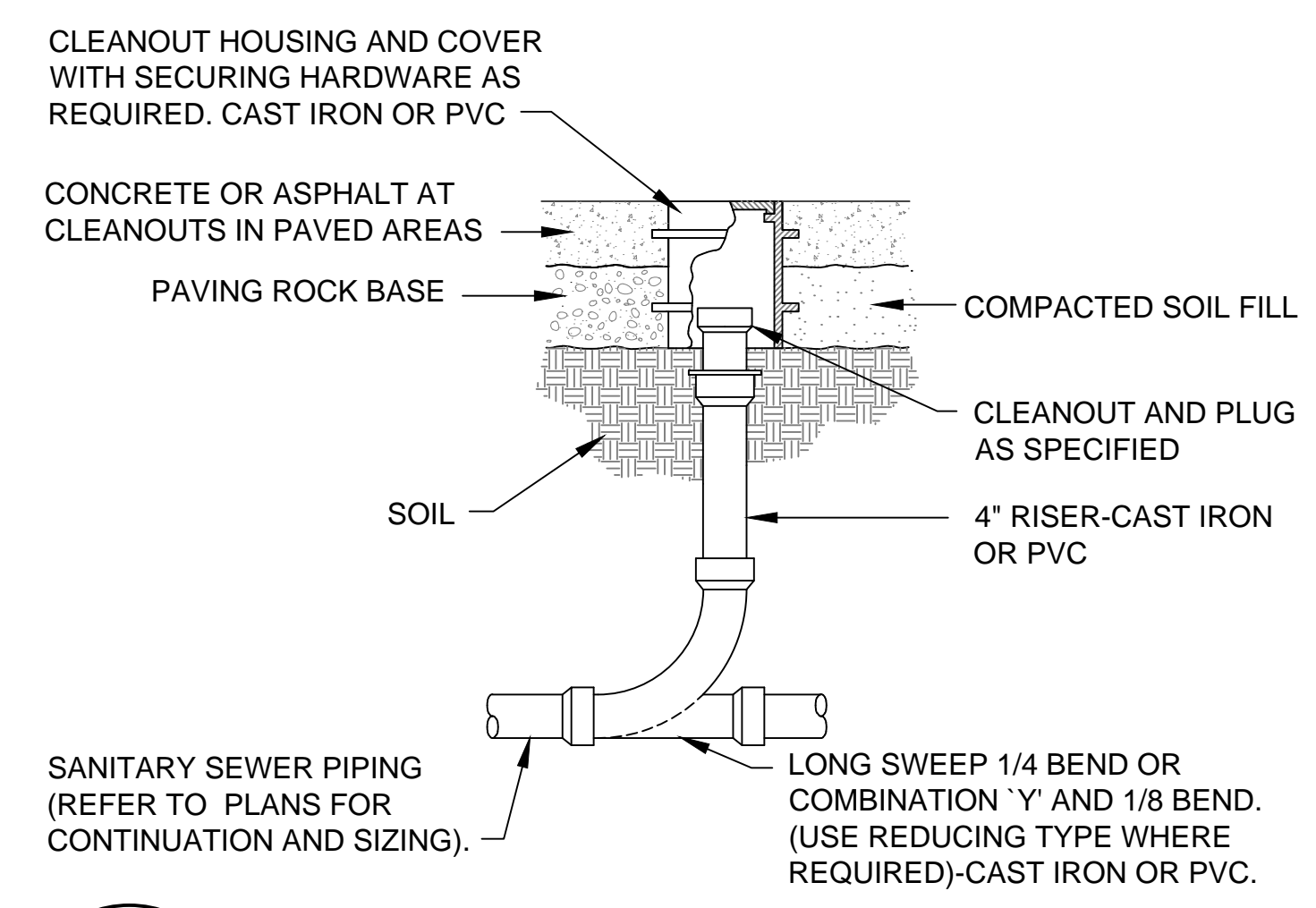
NEW 4" W
NEW LATERAL SADDLE

4" DOWN @ (D) 3

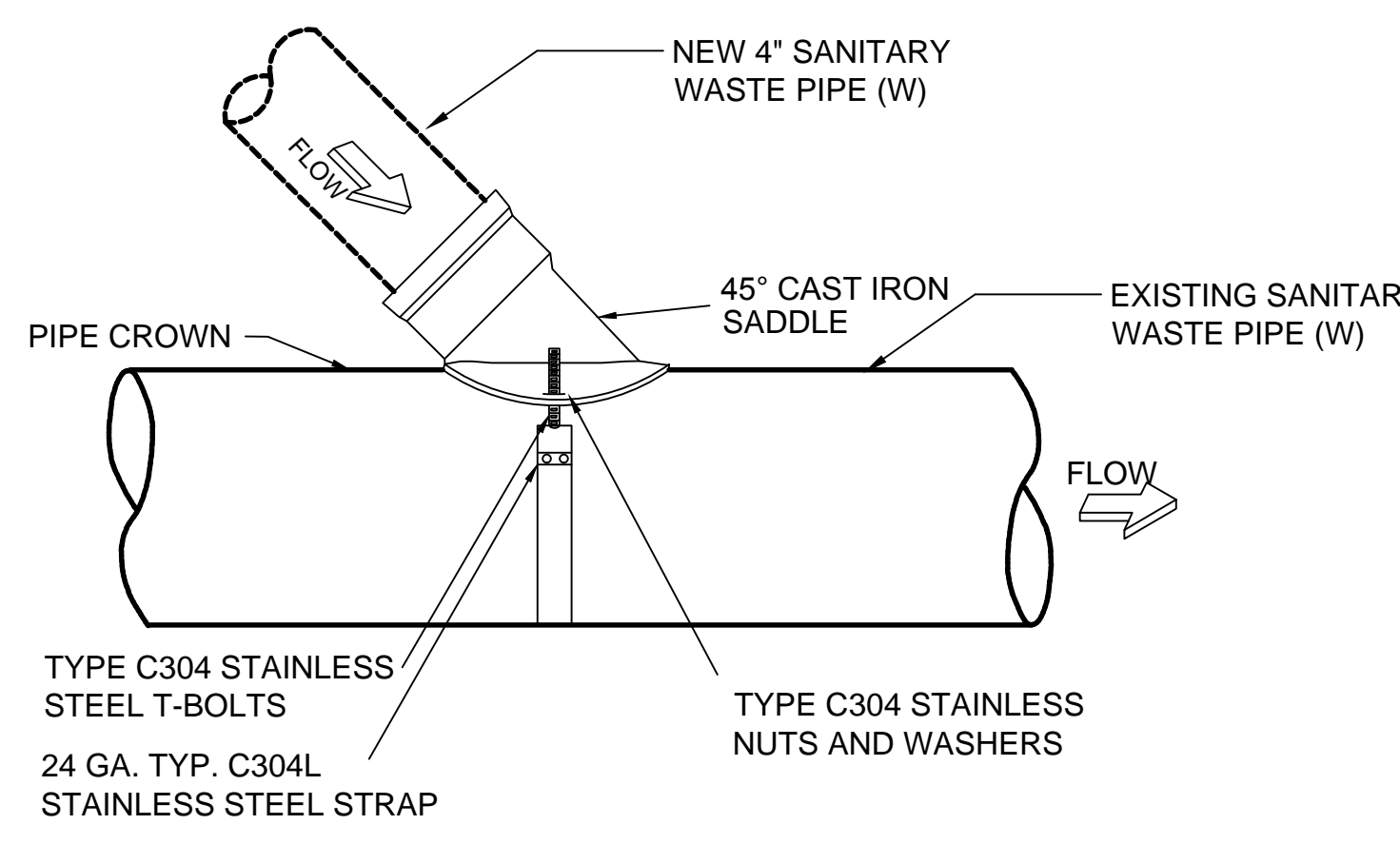
SIDEWALK

CONSTRUCTION NOTE:

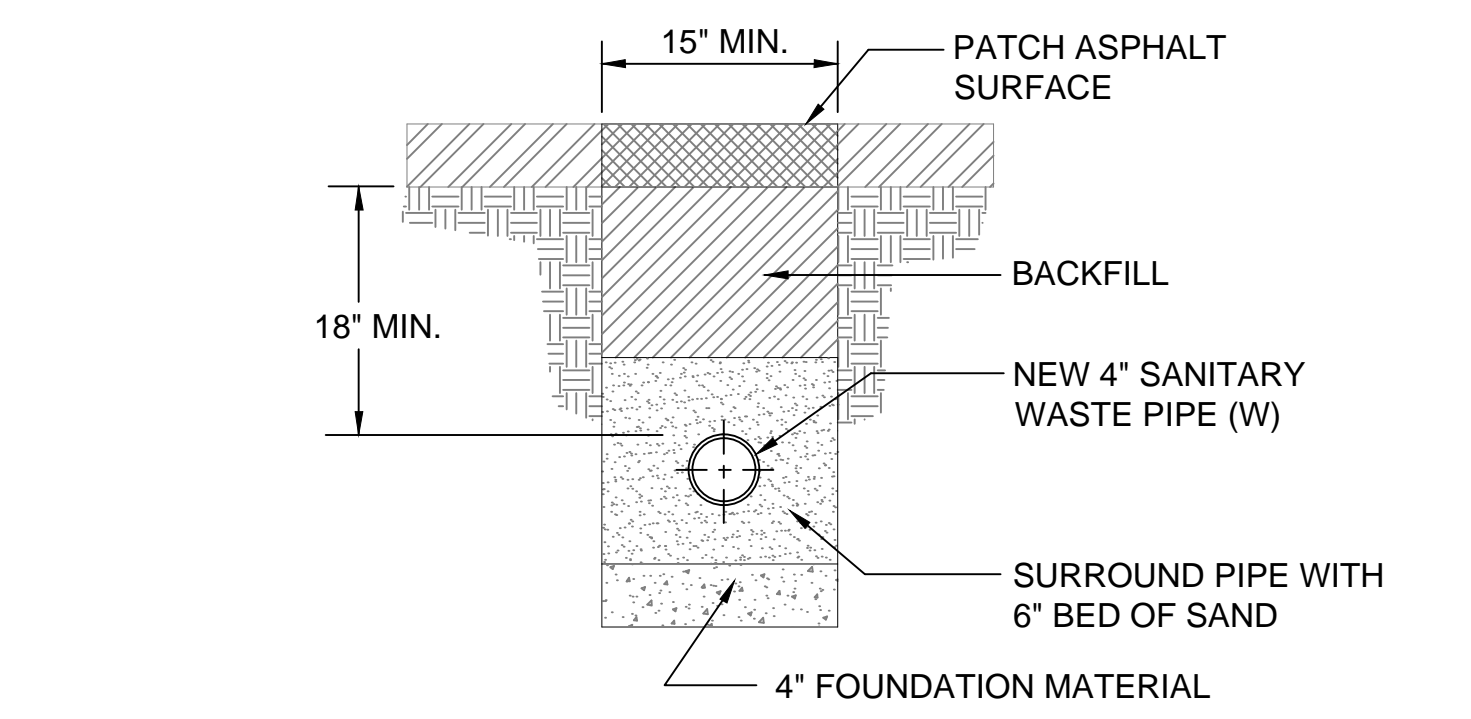
- ① PROVIDE NEW 4" SANITARY WASTE (W) AT 3 FOOT DEPTH BELOW GRADE AND SLOPE AT 2% AND CONNECT TO EXISTING SANITARY WASTE.
- ② CONTRACTOR WILL PROVIDE LATERAL SADDLE TO FIX NEW 4" SANITARY WASTE (W) AND CONNECT TO EXISTING SANITARY WASTE. THE CONNECTION TO BE ON STRAIGHT SECTION OF EXISTING PIPE.
- ③ EXTERIOR CLEAN OUT AS PER DETAIL ④



4 CLEANOUT TO GRADE
NTS

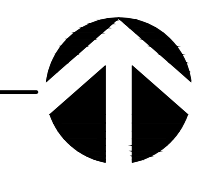


3 LATERAL SADDLE DETAIL
NTS



2 TRENCH DETAIL
NTS

1 PLUMBING SITE PLAN
SCALE: 1/16" = 1'-0"



CARLSON VEIT ARCHITECTS P.C.
ARCHITECTURE • INTERIOR DESIGN
503-390-0281 • FAX 503-390-2459 • WWW.CARLSONVEIT.COM
3085 RIVER ROAD NORTH, SALEM, OREGON 97303
MEMBER AMERICAN INSTITUTE OF ARCHITECTS

REGISTERED PROFESSIONAL ENGINEER
10373
DIGITAL SIGNATURE
FRED E. SHUB
RENEWS: 06-30-2018

AVERY COMPLEX ADDITION
360 AVERY AVENUE
CORVALLIS, OREGON 97333
consultants:
Environmental & Engineering Services Inc.
817 NW CRAFT AVENUE
CORVALLIS, OREGON 97330
TELEPHONE (541) 754-1062
FAX (541) 754-1048
www.eesaint.com

revisions:
date: 06/26/2017
project: 11916
dwg file: 10CVA
drawn by: CJK
checked by: FES
copyright © 2017
Carlson Veit Architects P.C.
PLUMBING SITE PLAN
sheet: **P1.0**
of: